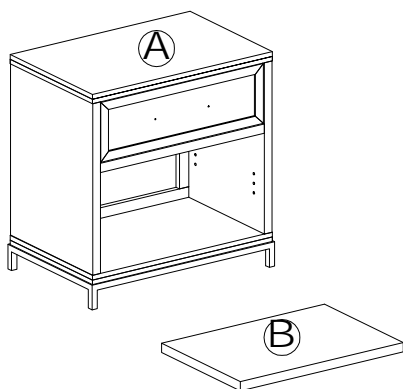


# ASSEMBLY INSTRUCTIONS

## WRENN 1 DRAWER NIGHTSTAND



### Parts Check List

Code	Components	Qty
(A)	BODY	x01
(B)	SHELF	x01

### Hardware Check List

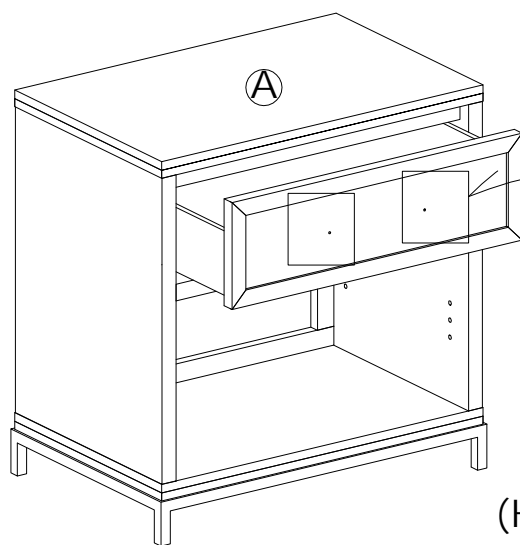
Code	Description	qty
01	shel f pin	x04

- PLEASE DO NOT DISCARD ANY OF THE PACKAGING UNTIL YOU HAVE CHECKED ALL THE PARTS AND THE PACKS OF HARDWARE.
- BEFORE YOU BEGIN TO ASSEMBLE YOUR NEW PIECE OF FURNITURE, PLEASE CHECK TO ENSURE THAT ALL PARTS HAVE BEEN SUPPLIED.
- FOLLOW INSTRUCTIONS CLOSELY AS DEVIATION FROM THEM MAY VOID YOUR WARRANTY AND PRESENT A POSSIBLE SAFETY RISK.
- IT IS RECOMMENDED THAT ASSEMBLY IS DONE ON A SOFT SURFACE LIKE CARPET TO AVOID ANY DAMAGE.
- PERIODICALLY CHECK AND RE-TIGHTEN ANY FASTENERS. WIPE DOWN ALL SURFACES WEEKLY WITH A CLEAN CLOTH. DO NOT CLEAN ANY SURFACES WITH HARSH ABRASIVES OR CHEMICALS.

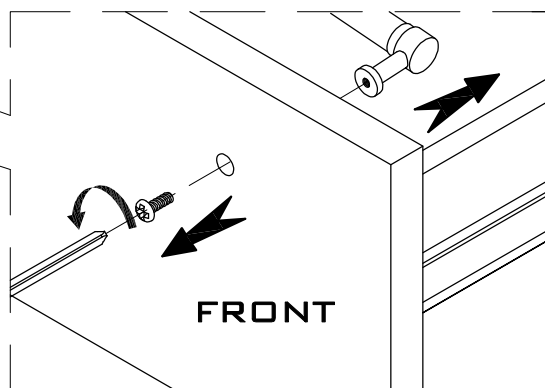
**PHILLIPS HEAD SCREWDRIVER TOOL NEEDED (NOT INCLUDED)**



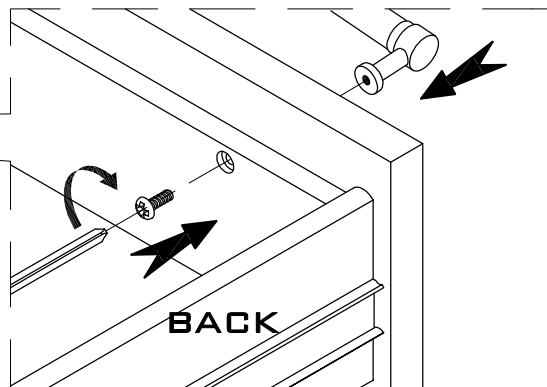
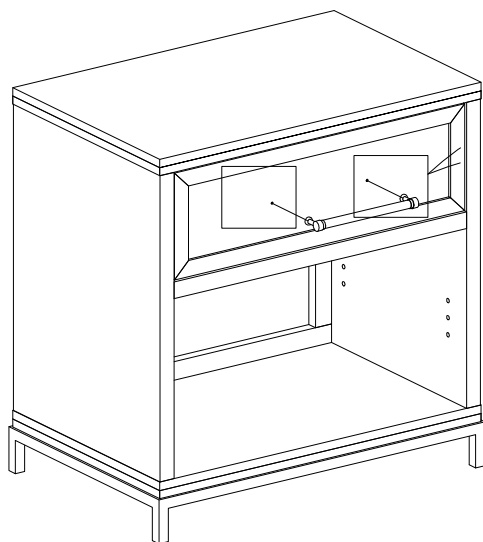
**1.**



(HANDLE INSIDE)

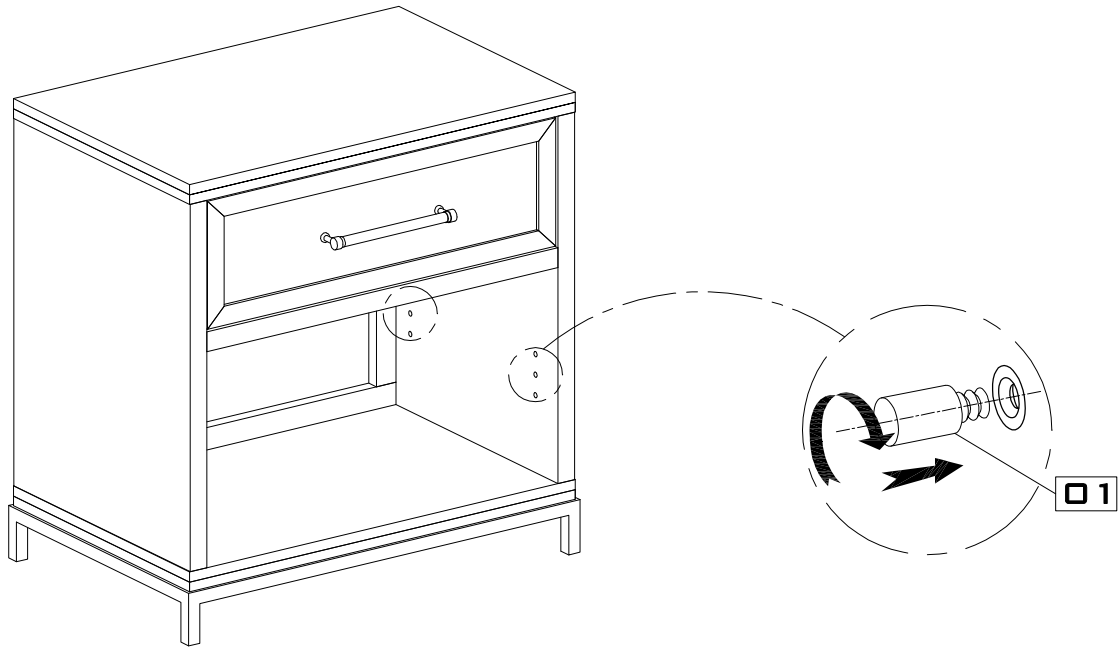


**2.**



# ASSEMBLY INSTRUCTIONS WRENN 1 DRAWER NIGHTSTAND

3.



4.

